

# SCREEN FRAMES AND ACCESSORIES



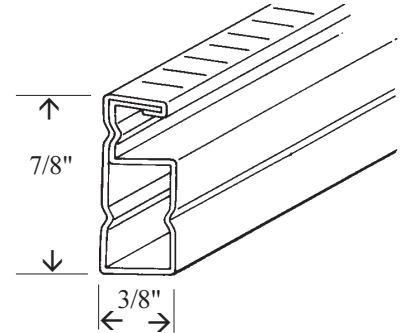


# SCREEN FRAME - LINEALS & COMPONENTS

## SCREEN FRAME

C110 Almond .019" Roll formed aluminum  
 Black  
 Dark Bronze  
 Mill Finish  
 White  
 Clay

C113 \*Almond .0175" Roll formed aluminum  
 Ivory  
 Clay



**\*Almond available in standard package quantities only. Lead time required.**

STANDARD PACKAGE: (1,600') 100 pcs., 16' length  
 (800') 50 pcs., 16' length

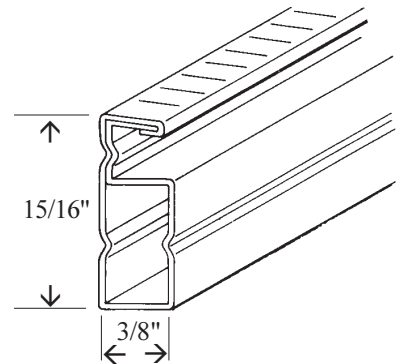
*Use .170" diameter vinyl spline (C334B) or .175" diameter serrated vinyl spline (C334S).  
 Use C404A corner inserts or C400 vinyl corner.*

## SCREEN FRAME

C111 Dark Bronze .019" Roll formed aluminum  
 Mill Finish  
 White

STANDARD PACKAGE: (1,440') 90 pcs. 16' length

*Use .170" diameter vinyl spline (C334B) or .175" diameter serrated vinyl spline (C334S).  
 Use C414A corner inserts.*

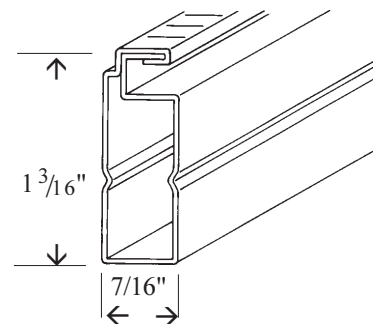


## SCREEN FRAME

C118 Dark Bronze .024" Roll formed aluminum  
 Mill Finish  
 White

STANDARD PACKAGE: (960') 60 pcs. 16' length

*Use .220" diameter vinyl spline (C336B).  
 Use C406A corner inserts.*



**City Screen Inc**  
 5540 N Kedzie Avenue  
 CHICAGO IL 60625

Telephone: (773) 588-5642  
 Fax: (773) 588-5742

## SCREEN FRAME - LINEALS & COMPONENTS

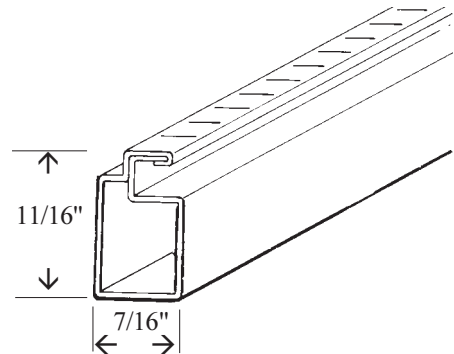
### SCREEN FRAME

C123 Mill Finish only .0175 Roll formed aluminum  
 \*Dark Bronze  
 \*Ivory  
 \*White

**\*Available in standard packages only. Lead time required**

STANDARD PACKAGE: (1,250') 100 pcs, 12'6" length  
 (1,600') 100 pcs, 16' length

*Use .125" diameter vinyl spline (C332B) and C432 corner insert.*



### SCREEN FRAME

C124 Almond .019" Roll formed aluminum  
 Dark Bronze  
 Ivory  
 Mill Finish  
 Sun Sand  
 White  
 \*Blue White

**Black and Almond available by request. Lead time required.**

STANDARD PACKAGE: (1,728) 108 pcs., 16' length  
 \*(1,350') 108 pcs., 12'6" length  
 (864') 54 pcs., 16' length

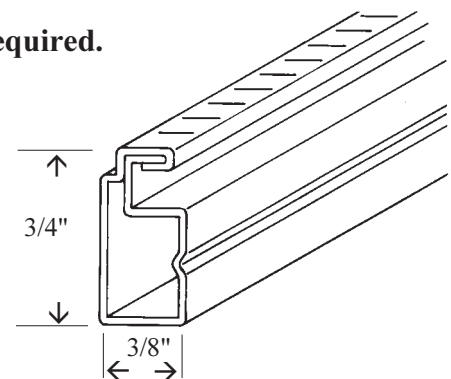
**\*Available in standard packages only. Lead time required.**

C125 Dark Bronze .0175" Roll formed aluminum  
 Mill Finish  
 White

**Ivory available by request. Lead time required.**

STANDARD PACKAGE: (1,728') 108 pcs., 16' length.

*Use .150" diameter vinyl spline (C333B) or .155" diameter serrated vinyl spline (C333S). Use C412 corner inserts for mitered corners or C425 vinyl corners for square cut joints.*



**City Screen Inc**  
 5540 N Kedzie Avenue  
 CHICAGO IL 60625

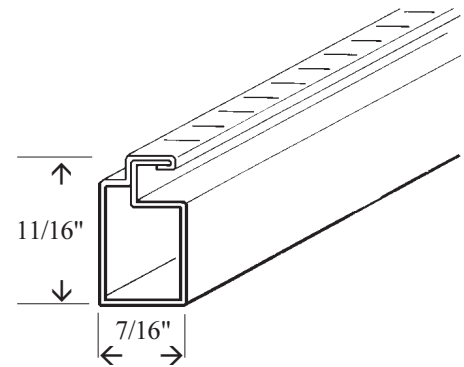
Telephone: (773) 588-5642  
 Fax: (773) 588-5742

# SCREEN FRAME - LINEALS & COMPONENTS

## SCREEN FRAME

C132 Almond .019" Roll formed aluminum  
 Dark Bronze  
 Mill Finish  
 Sun Sand  
 White

C133 Dark Bronze .0175" Roll formed aluminum  
 Mill Finish  
 White  
**Ivory available by request. Lead time required.**



STANDARD PACKAGE: (1,600') 100 pcs., 16' length

*Use .150" diameter vinyl spline (C333B) or .155" diameter spline (C333S) and C432A corner inserts.*

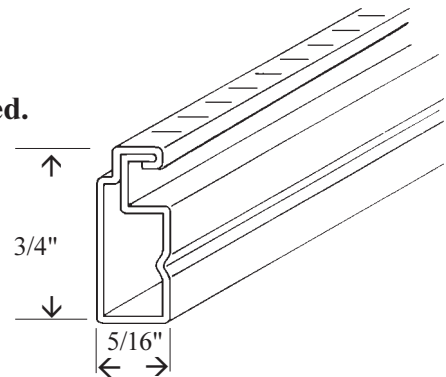
## SCREEN FRAME

C136 Almond .019" Roll formed aluminum  
 Dark Bronze  
 Ivory  
 Mill Finish  
 Sun Sand  
 White

**Blue White available by request. Lead time required.**

STANDARD PACKAGE: (2,160') 135 pcs., 16' length  
 (1,688') 135 pcs., 12'6" length  
 (1,088') 68 pcs., 16' length

C137 Dark Bronze .0175" Roll formed aluminum  
 Ivory  
 Mill Finish  
 White



STANDARD PACKAGE: (2,160') 135 pcs., 16' length  
 (1,088') 68 pcs., 16' length.

*Use .140" diameter vinyl spline (C332B) or .145" diameter spline (C332S) and C436A corner inserts or C426 vinyl corners.*



**City Screen Inc**  
 5540 N Kedzie Avenue  
 CHICAGO IL 60625

Telephone: (773) 588-5642  
 Fax: (773) 588-5742

# SCREEN FRAME - LINEALS & COMPONENTS

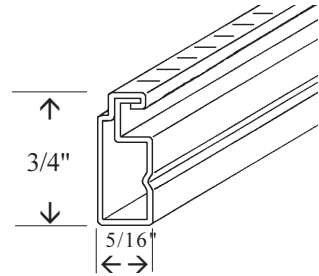
## SCREEN FRAME

C138 MillFinish .024" Roll formed aluminum

**Dark Bronze, Ivory, and White available by request.  
Lead time required.**

STANDARD PACKAGE: (2,160') 135 pcs., 16' length.

*Use .140" (C332B) or .145" diameter spline (C332S) and C436A corner inserts or C426 vinyl corners.*

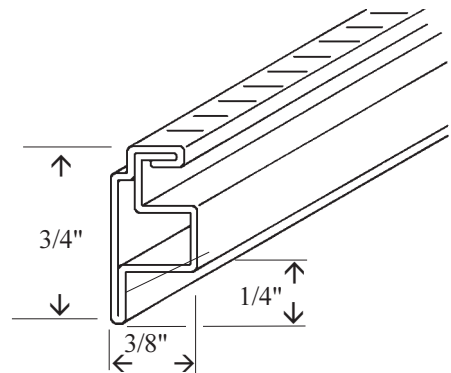


## SCREEN FRAME

C140 Dark Bronze .019" Roll formed aluminum  
MillFinish  
White

STANDARD PACKAGE: (1,500') 125 pcs. 12' length

*Use .150" diameter vinyl spline (C333B) or .155" diameter serrated vinyl spline (C333S).  
Use C416A corner inserts.*



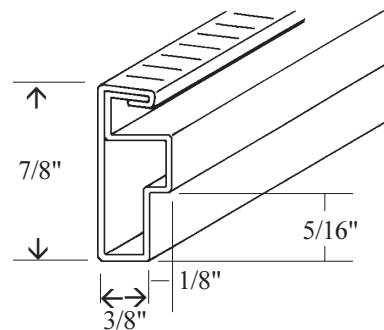
## SCREEN FRAME

C142 MillFinish .024" Roll formed aluminum

**Dark Bronze and White available by request.  
Lead time required.**

STANDARD PACKAGE: (1,600') 100 pcs. 16' length

*Use .150" diameter vinyl spline (C333B) or .155" diameter serrated vinyl spline (C333S).  
Use C410A corner inserts.*



**City Screen Inc**  
5540 N Kedzie Avenue  
CHICAGO IL 60625

Telephone: (773) 588-5642  
Fax: (773) 588-5742

## SCREEN FRAME - LINEALS & COMPONENTS

### SCREEN FRAME

C148     Dark Bronze     .024" Roll formed aluminum  
            Mill Finish  
            White  
            **Ivory available by request. Lead time required.**

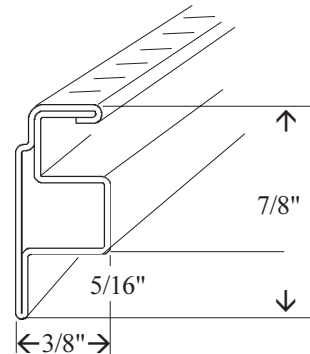
STANDARD PACKAGE: (1,250') 100 pcs., 12'6" length.

C149     Dark Bronze     .019" Roll formed aluminum  
            Mill Finish  
            White  
            **Ivory available by request. Lead time required.**

STANDARD PACKAGE: (1,250') 100 pcs., 12'6" length.

*Use C336 (.220") vinyl spline and C446 corners.*

**C148 AND C149 SCREEN FRAME AVAILABLE IN STANDARD PACKAGE ONLY.  
 LEAD TIME REQUIRED.**



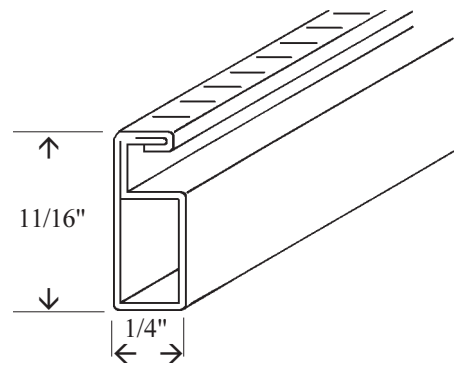
### SCREEN FRAME

C150     Dark Bronze     .0175" Roll formed aluminum  
            Mill Finish  
            White

STANDARD PACKAGE: (1,920') 120 pcs. 16' length

**Special colors available. Lead time required.**

*Use .140" diameter vinyl spline (C332B) or .145" diameter serrated vinyl spline (C332S).  
 Use C450A corner inserts.*

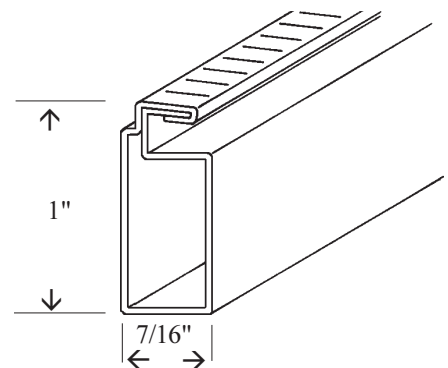


### SCREEN FRAME

C152     Dark Bronze     .024" Roll formed aluminum  
            Mill Finish  
            White

STANDARD PACKAGE: (1,120') 70 pcs. 16' length

*Use .170" diameter vinyl spline (C334B) or .175" diameter serrated vinyl spline (C334S).  
 Use C451A corner inserts.*



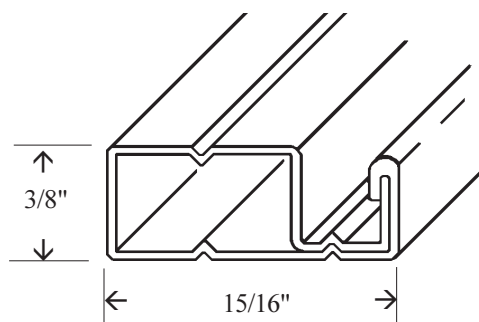
**City Screen Inc**  
 5540 N Kedzie Avenue  
 CHICAGO IL 60625

Telephone: (773) 588-5642  
 Fax: (773) 588-5742

## SCREEN FRAME - LINEALS & COMPONENTS

### SCREEN FRAME

C154 Mill Finish .024" roll formed aluminum  
 STANDARD PACKAGE: (1,600') 100 pcs., 16' length  
 Use C454A Corner and .250" serrated spline (C330B).



**C154 SCREEN FRAME AVAILABLE IN STANDARD PACKAGES ONLY.  
 LEAD TIME REQUIRED.**

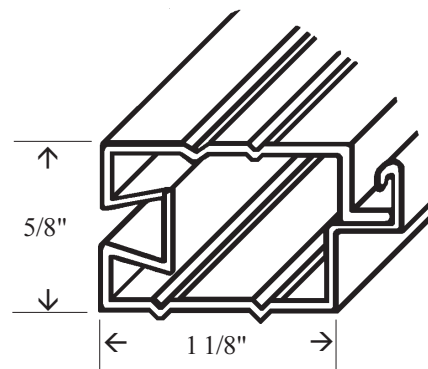
### GAZEBO SCREEN FRAME

C155 \*Bronze .024" roll formed aluminum  
 \*Mill Finish  
 \*White

**C155 GAZEBO SCREEN FRAME AVAILABLE BY REQUEST ONLY. MINIMUM QUANTITIES AND LEAD TIME REQUIRED.**

STANDARD PACKAGE: Dependent on length and quantity.

Use C455 Corner Insert and .155" serrated spline (C333B).  
 Use C255 chair rail.

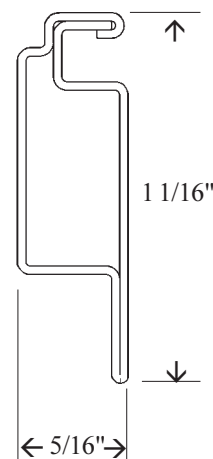


### SCREEN FRAME

C159 Dark Bronze .019" Roll Formed Aluminum  
 Mill Finish  
 White  
**Ivory available by request. Lead time required.**

STANDARD PACKAGE: (1,250') 100 pcs. 12'6" length.

Use C436 or C429 corners and .140" smooth spline (C334B)  
 or .145 serrated spline (C333B).



**City Screen Inc**  
 5540 N Kedzie Avenue  
 CHICAGO IL 60625

Telephone: (773) 588-5642  
 Fax: (773) 588-5742

# SCREEN FRAME - LINEALS & COMPONENTS

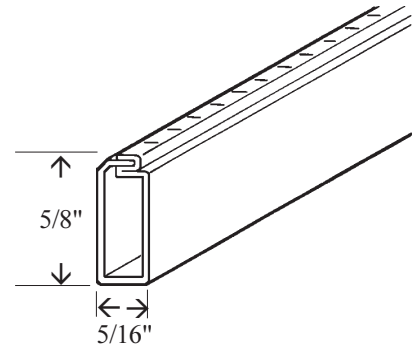
## CENTER BAR

C279 Almond  
Dark Bronze  
Mill Finish  
Sun Sand  
White

.019" Aluminum

C280 Dark Bronze  
Ivory  
Mill Finish  
White

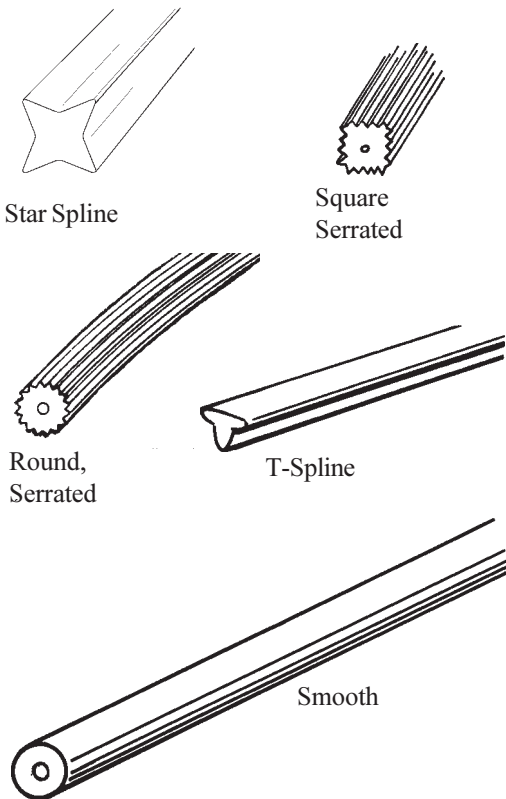
.0175" Aluminum



STANDARD PACKAGE: (252') 21 pcs. 12' length  
(600') 50 pcs. 12' length  
(1,428') 119 pcs. 12' length

Use C007A or C004A center bar clips.

## SPLINE



CATALOG NO.	DIAMETER	STANDARD PACKAGE
<b>SMOOTH:</b>		
C331B	.125"	2,000'/roll
C332B	.140"	2,000'/roll
C333B	.150"	2,000'/roll
C334B	.170"	1,000'/roll
C335B	.190"	1,000'/roll
C336B	.220"	1,000'/roll
C337B	.230"	1,000'/roll
C338B	.255"	500'/roll
C340B	.135" sq.	2,000'/roll
<b>SERRATED:</b>		
C330B	.250"	500'/roll
C332S	.145"	2,000'/roll
C333S	.155"	2,000'/roll
C334S	.175"	1,000'/roll
<b>STAR SPLINE:</b>		
C341B	.142"	2,000'/roll