



**CATALOG**  
**SCREEN FRAMES - EXTRUDED ALUMINUM**

# ALUMINUM SCREEN FRAMES/ EXTRUDED



**City Screen Inc.**

5540 N. Kedzie Ave.  
Chicago, IL 60625

Tel: (773) 588-5642

E-Mail: [cityscreeninc@gmail.com](mailto:cityscreeninc@gmail.com)

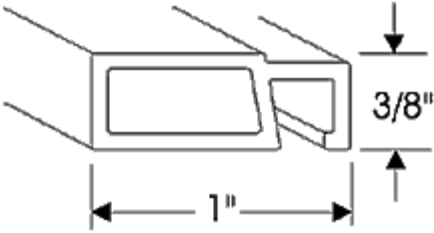
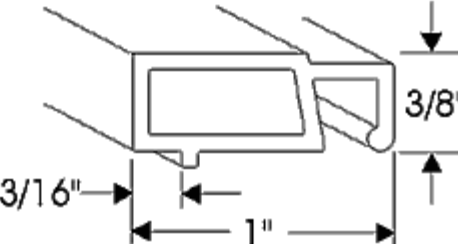
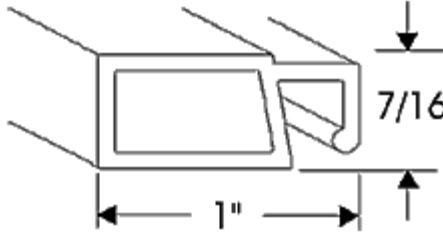
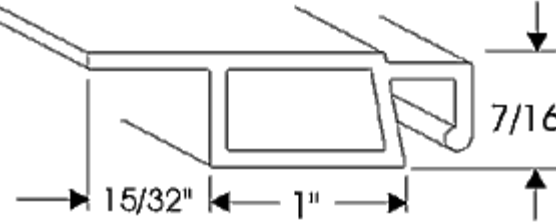
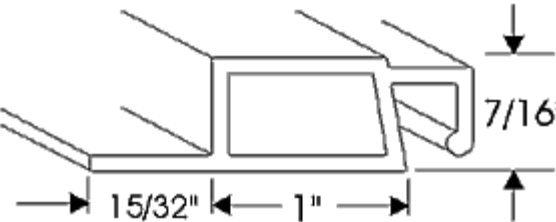
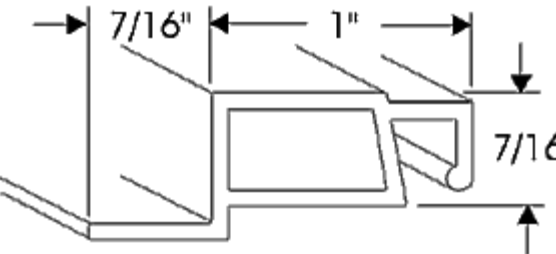
Web Site: [www.cityscreeninc.com](http://www.cityscreeninc.com)

FRAME		SPLINE	CORNER INSERTS
<p><b>#746</b> 5/16" X 3/4" X .050</p>		<p>.235 VINYL OR ROLL FORMED ALUMINUM</p>	<p><b>#747</b> 3/16" THICK STAMPED ALUMINUM STAKED IN PLACE</p>
<p><b>#874</b> 5/16" X 1" X .050</p>		<p>.235 VINYL OR ROLL FORMED ALUMINUM</p>	<p><b>#3034</b> CAST ZAMAC PRESSURE FIT</p>
<p><b>#855</b> 5/16" X 1" X .075 NOTE: INTERCHANGEABLE WITH FRAMES #855- 2 &amp; 855-3</p>		<p>.235 VINYL OR ROLL FORMED ALUMINUM</p>	<p><b>#856</b> 2 1/4" X 2 1/4" X 1/8" THICK SOLID ALUMINUM STAKED IN PLACE</p>
<p><b>#855-2</b> 5/16" X 1" X .075 NOTE: INTERCHANGEABLE WITH FRAMES #855 &amp; 855-3</p>		<p>.235 VINYL OR ROLL FORMED ALUMINUM</p>	<p><b>#856</b> 2 1/4" X 2 1/4" X 1/8" THICK SOLID ALUMINUM STAKED IN PLACE</p>
<p><b>#855-3</b> 5/16" X 1" X .075 NOTE: INTERCHANGEABLE WITH FRAMES #855 &amp; 855-2</p>		<p>.235 VINYL OR ROLL FORMED ALUMINUM</p>	<p><b>#856</b> 2 1/4" X 2 1/4" X 1/8" THICK SOLID ALUMINUM STAKED IN PLACE</p>



**City Screen Inc**  
5540 N Kedzie Avenue  
CHICAGO IL 60625

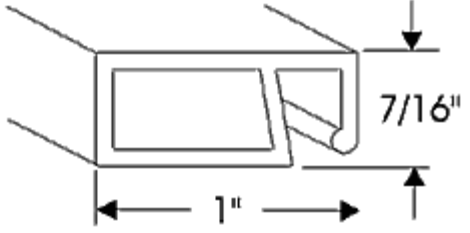
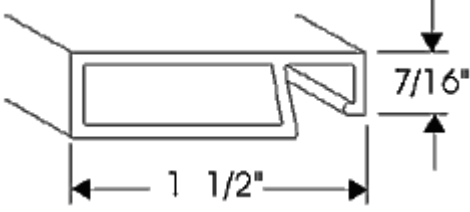
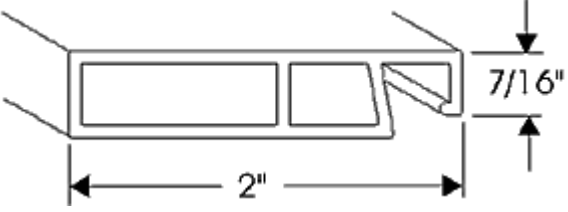
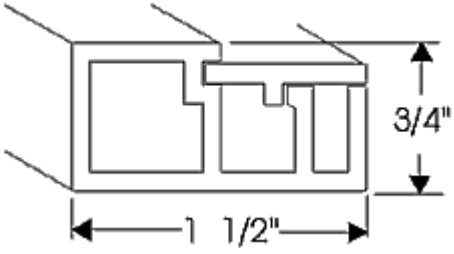
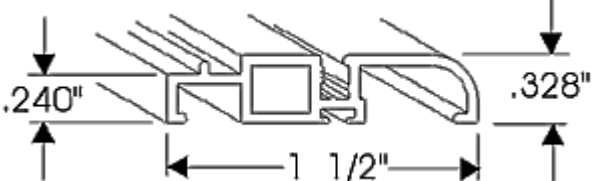
Telephone: (773) 588-5642  
Fax: (773) 588-5742

<p><b>#861</b> 3/8" X 1" X .063 NOTE: INTERCHANGEABLE WITH FRAME #883</p>		<p>.235 VINYL OR ROLL FORMED ALUMINUM</p>	<p><b>#862</b> 3/16" THICK SOLID ALUMINUM STAKED IN PLACE</p>
<p><b>#883</b> 3/8" X 1" X .063 NOTE: INTERCHANGEABLE WITH FRAME #861</p>		<p>.235 VINYL OR ROLL FORMED ALUMINUM</p>	<p><b>#862</b> 3/16" THICK SOLID ALUMINUM STAKED IN PLACE</p>
<p><b>#586</b> 7/16" X 1" X .063 NOTE: INTERCHANGEABLE WITH FRAMES #858, #880, &amp; #884</p>		<p>.235 VINYL OR ROLL FORMED ALUMINUM</p>	<p><b>#715</b> CAST ZAMAC STAKED IN PLACE</p>
<p><b>#858</b> 7/16" X 1" X .063 NOTE: INTERCHANGEABLE WITH FRAMES #586, #880, &amp; #884</p>		<p>.235 VINYL OR ROLL FORMED ALUMINUM</p>	<p><b>#715</b> CAST ZAMAC STAKED IN PLACE</p>
<p><b>#880</b> 7/16" X 1" X .063 NOTE: INTERCHANGEABLE WITH FRAMES #586, #858, &amp; #884</p>		<p>.235 VINYL OR ROLL FORMED ALUMINUM</p>	<p><b>#715</b> CAST ZAMAC STAKED IN PLACE</p>
<p><b>#884</b> 7/16" X 1" X .063 NOTE: INTERCHANGEABLE WITH FRAMES #586, #880, &amp; #858</p>		<p>.235 VINYL OR ROLL FORMED ALUMINUM</p>	<p><b>#715</b> CAST ZAMAC STAKED IN PLACE</p>



**City Screen Inc**  
5540 N Kedzie Avenue  
CHICAGO IL 60625

Telephone: (773) 588-5642  
Fax: (773) 588-5742

<p><b>#839</b> 7/16" X 1" X .063</p>		<p>.235 VINYL OR ROLL FORMED ALUMINUM</p>	<p>HELIARC WELDED AND DRESSED SMOOTH</p>
<p><b>#848</b> 7/16" X 1 1/2" X .063 AVAILABLE WITH 16 x 16 X .018, 12 X 12 X .023 &amp; 12 X 12 X .028 STAINLESS STEEL SECURITY MESHES</p>		<p>.235 VINYL OR ROLL FORMED ALUMINUM</p>	<p>3" X 3" X 9/32 THICK SOLID ALUMINUM STAKED IN PLACE OR HELIARC WELDED AND DRESSED SMOOTH</p>
<p><b>#859</b> 7/16" X 2" X .063 AVAILABLE WITH 16 x 16 X .018, 12 X 12 X .023 &amp; 12 X 12 X .028 STAINLESS STEEL SECURITY MESHES</p>		<p>.235 VINYL OR ROLL FORMED ALUMINUM</p>	<p>3" X 3" X 9/32 THICK SOLID ALUMINUM STAKED IN PLACE OR HELIARC WELDED AND DRESSED SMOOTH</p>
<p><b>#846</b> 3/4" X 1 1/2" X .093 AVAILABLE WITH 16 x 16 X .018, 12 X 12 X .023 &amp; 12 X 12 X .028 STAINLESS STEEL SECURITY MESHES</p>		<p>.325 VINYL WITH INTERLOCKING OPTIONAL <b>#847</b> <b>COVERPLATE</b> (SHOWN IN DIAGRAM AT LEFT) RIVETED OR SCREWED THROUGH WIRE CLOTH ON APPROX 8" CENTERS</p>	<p>HELIARC WELDED AND DRESSED SMOOTH</p>
<p><b>#900</b> .240 X 1.50 X .050 NOTE: INTERCHANGEABLE WITH FRAME #901</p>		<p>.165 VINYL</p>	<p><b>#902</b> SPRING LOCK CORNER</p>



**City Screen Inc**  
5540 N Kedzie Avenue  
CHICAGO IL 60625

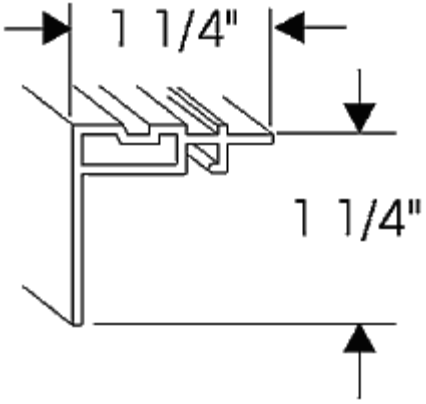
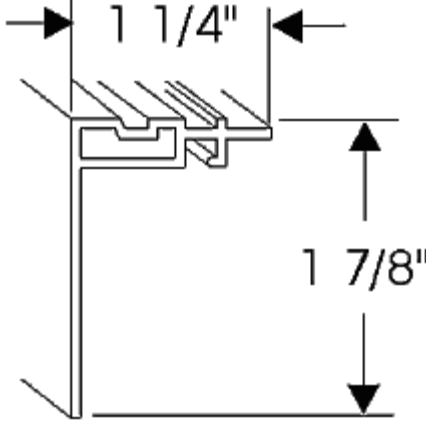
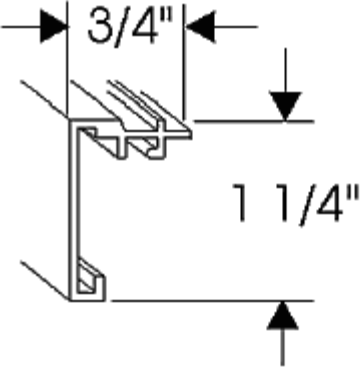
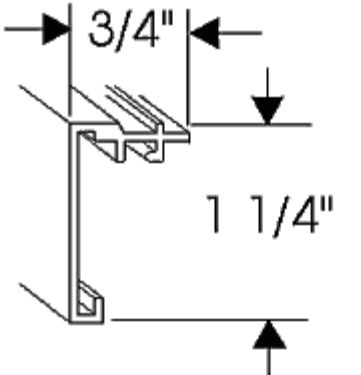
Telephone: (773) 588-5642  
Fax: (773) 588-5742

<p><b>#901</b>          .240 X 1.50 X .050          NOTE:          INTERCHANGEABLE          WITH FRAME #900</p>		<p>.165 VINYL</p>	<p><b>#902</b>          SPRING LOCK          CORNER</p>
<p><b>#726 - 1 1/4"</b>          1" X 1 1/4" X          .063</p>		<p>.235 VINYL          OR          ROLL FORMED          ALUMINUM</p>	<p><b>#715</b>          CAST ZAMAC          STAKED IN PLACE</p>
<p><b>#726 - 1 3/8"</b>          1" X 1 3/8" X          .063</p>		<p>.235 VINYL          OR          ROLL FORMED          ALUMINUM</p>	<p><b>#715</b>          CAST ZAMAC          STAKED IN PLACE</p>
<p><b>#726 - 1 7/8"</b>          1" X 1 7/8" X          .063</p>		<p>.235 VINYL          OR          ROLL FORMED          ALUMINUM</p>	<p><b>#715</b>          CAST ZAMAC          STAKED IN PLACE</p>



**City Screen Inc**  
 5540 N Kedzie Avenue  
 CHICAGO IL 60625

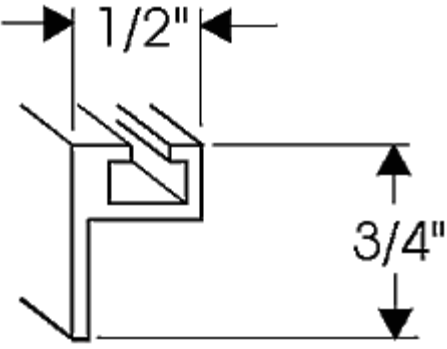
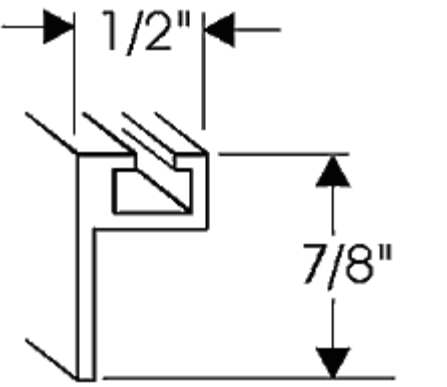
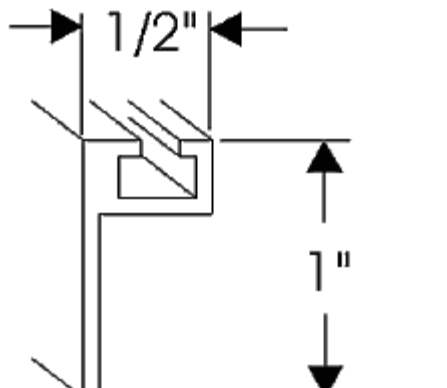
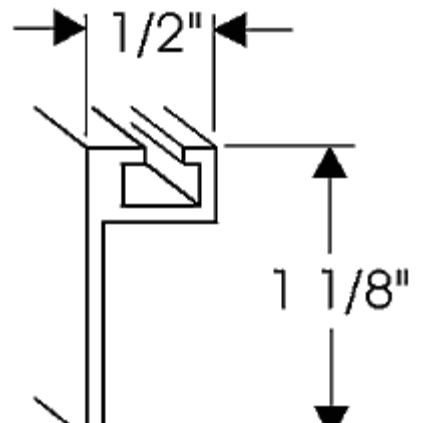
Telephone: (773) 588-5642  
 Fax: (773) 588-5742

<p><b>#830 - 1 1/4"</b> 1" X 1 7/8" X .062</p>		<p>.165 VINYL</p>	<p><b>#3034</b> CAST ZAMAC PRESSURE FIT</p>
<p><b>#830 - 1 7/8"</b> 1 1/4" X 1 7/8" X .062</p>		<p>.165 VINYL</p>	<p><b>#3034</b> CAST ZAMAC PRESSURE FIT</p>
<p><b>#866 - 1 1/8"</b> 3/4" X 1 1/8" X .050</p>		<p>.165 VINYL</p>	<p>1 1/4" X 1 1/4" X .093 THICK ALUMINUM STAKED IN PLACE</p>
<p><b>#866 - 1 1/4"</b> 3/4" X 1 1/4" X .050</p>		<p>.165 VINYL</p>	<p>1 1/4" X 1 1/4" X .093 THICK ALUMINUM STAKED IN PLACE</p>



**City Screen Inc**  
5540 N Kedzie Avenue  
CHICAGO IL 60625

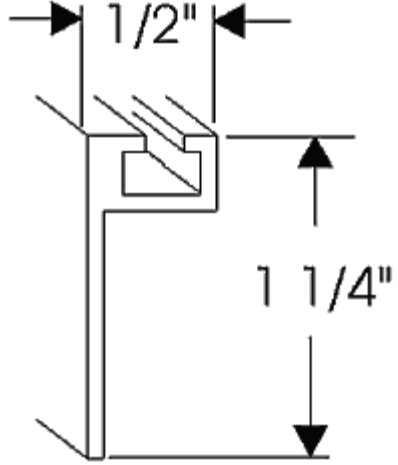
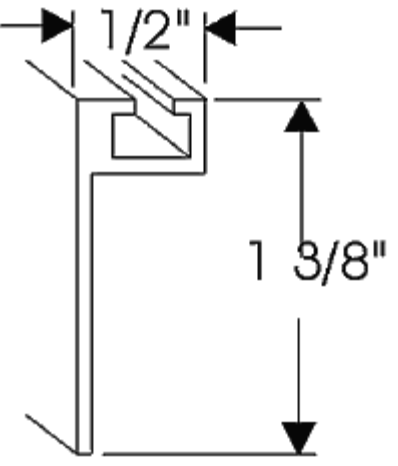
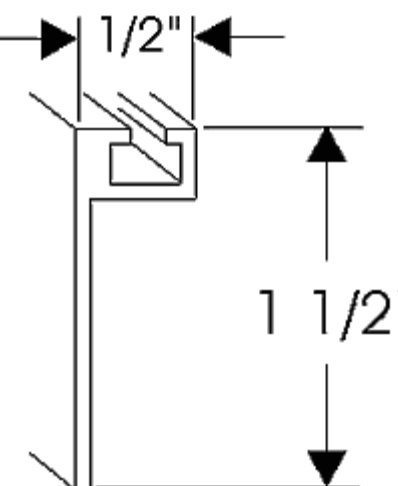
Telephone: (773) 588-5642  
Fax: (773) 588-5742

<p><b>#676 - 3/4"</b> 1/2" X 3/4" X .062</p>		<p>.235 VINYL OR ROLL FORMED ALUMINUM</p>	<p>FRAMES TO BE BENT AROUND AT CORNERS AND JOINED WITH .051 ALUMINUM CORNER ANGLE RIVETED IN PLACE</p>
<p><b>#676 - 7/8"</b> 1/2" X 7/8" X .062</p>		<p>.235 VINYL OR ROLL FORMED ALUMINUM</p>	<p>FRAMES TO BE BENT AROUND AT CORNERS AND JOINED WITH .051 ALUMINUM CORNER ANGLE RIVETED IN PLACE</p>
<p><b>#676 - 1"</b> 1/2" X 1" X .062</p>		<p>.235 VINYL OR ROLL FORMED ALUMINUM</p>	<p>FRAMES TO BE BENT AROUND AT CORNERS AND JOINED WITH .051 ALUMINUM CORNER ANGLE RIVETED IN PLACE</p>
<p><b>#676 - 1 1/8"</b> 1/2" X 1 1/8" X .062</p>		<p>.235 VINYL OR ROLL FORMED ALUMINUM</p>	<p>FRAMES TO BE BENT AROUND AT CORNERS AND JOINED WITH .051 ALUMINUM CORNER ANGLE RIVETED IN PLACE</p>



**City Screen Inc**  
5540 N Kedzie Avenue  
CHICAGO IL 60625

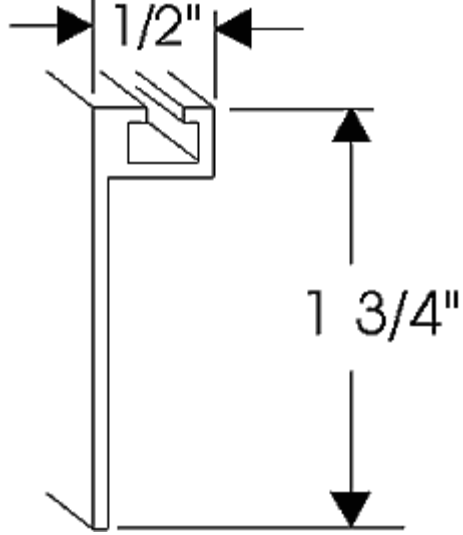
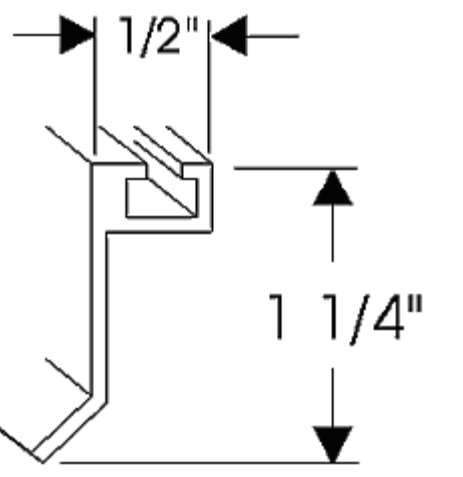
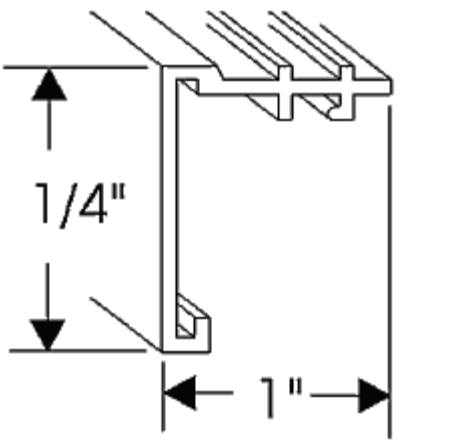
Telephone: (773) 588-5642  
Fax: (773) 588-5742

<p><b>#676 - 1 1/4"</b> 1/2" X 1 1/4" X .062</p>		<p>.235 VINYL OR ROLL FORMED ALUMINUM</p>	<p>FRAMES TO BE BENT AROUND AT CORNERS AND JOINED WITH .051 ALUMINUM CORNER ANGLE RIVETED IN PLACE</p>
<p><b>#676 - 1 3/8"</b> 1/2" X 1 3/8" X .062</p>		<p>.235 VINYL OR ROLL FORMED ALUMINUM</p>	<p>FRAMES TO BE BENT AROUND AT CORNERS AND JOINED WITH .051 ALUMINUM CORNER ANGLE RIVETED IN PLACE</p>
<p><b>#676 - 1 1/2"</b> 1/2" X 1 1/2" X .062</p>		<p>.235 VINYL OR ROLL FORMED ALUMINUM</p>	<p>FRAMES TO BE BENT AROUND AT CORNERS AND JOINED WITH .051 ALUMINUM CORNER ANGLE RIVETED IN PLACE</p>



**City Screen Inc**  
5540 N Kedzie Avenue  
CHICAGO IL 60625

Telephone: (773) 588-5642  
Fax: (773) 588-5742

<p><b>#676 - 1 3/4"</b> 1/2" X 1 3/4" X .062</p>		<p>.235 VINYL OR ROLL FORMED ALUMINUM</p>	<p>FRAMES TO BE BENT AROUND AT CORNERS AND JOINED WITH .051 ALUMINUM CORNER ANGLE RIVETED IN PLACE</p>
<p><b>#719</b> 1/2" X 1 1/4" X .062</p>		<p>.235 VINYL OR ROLL FORMED ALUMINUM</p>	<p>FRAMES TO BE BENT AROUND AT CORNERS AND JOINED WITH .051 ALUMINUM CORNER ANGLE RIVETED IN PLACE</p>
<p><b>#845</b> 1" X 1 1/4" X .062</p>		<p>.165 VINYL</p>	<p>1 1/4" X 1 1/4" X .093 THICK ALUMINUM STAKED IN PLACE</p>

**MESH: ALL EXTRUDED FRAMES AVAILABLE WITH FIBERGLASS, ALUMINUM, BRONZE & STAINLESS STEEL**

**FINISHES: BRONZE PAINT, WHITE PAINT, MILL FINISH, CLEAR ANODIZE AND BRONZE ANODIZED**



**City Screen Inc**  
5540 N Kedzie Avenue  
CHICAGO IL 60625

Telephone: (773) 588-5642  
Fax: (773) 588-5742