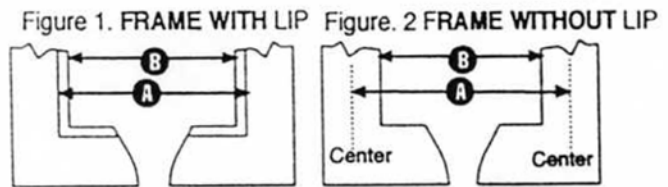
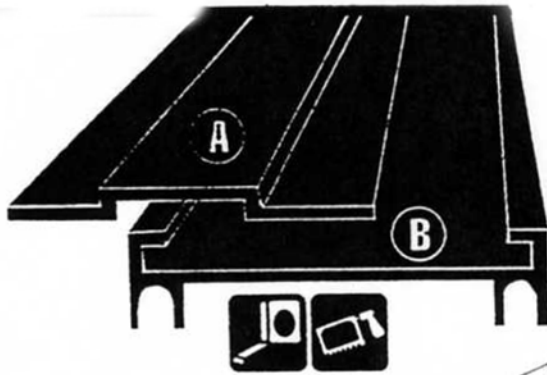


# SCREENBRACE INSTALLATION INSTRUCTIONS

TOOLS NEEDED: Tape Measure, Hack Saw, Drill, 1/8" Bit, Phillips Screwdriver, Spline Tool and Utility Knife

For screen windows and replacement patio screen doors.



## STEP 1. MEASURE & CUT

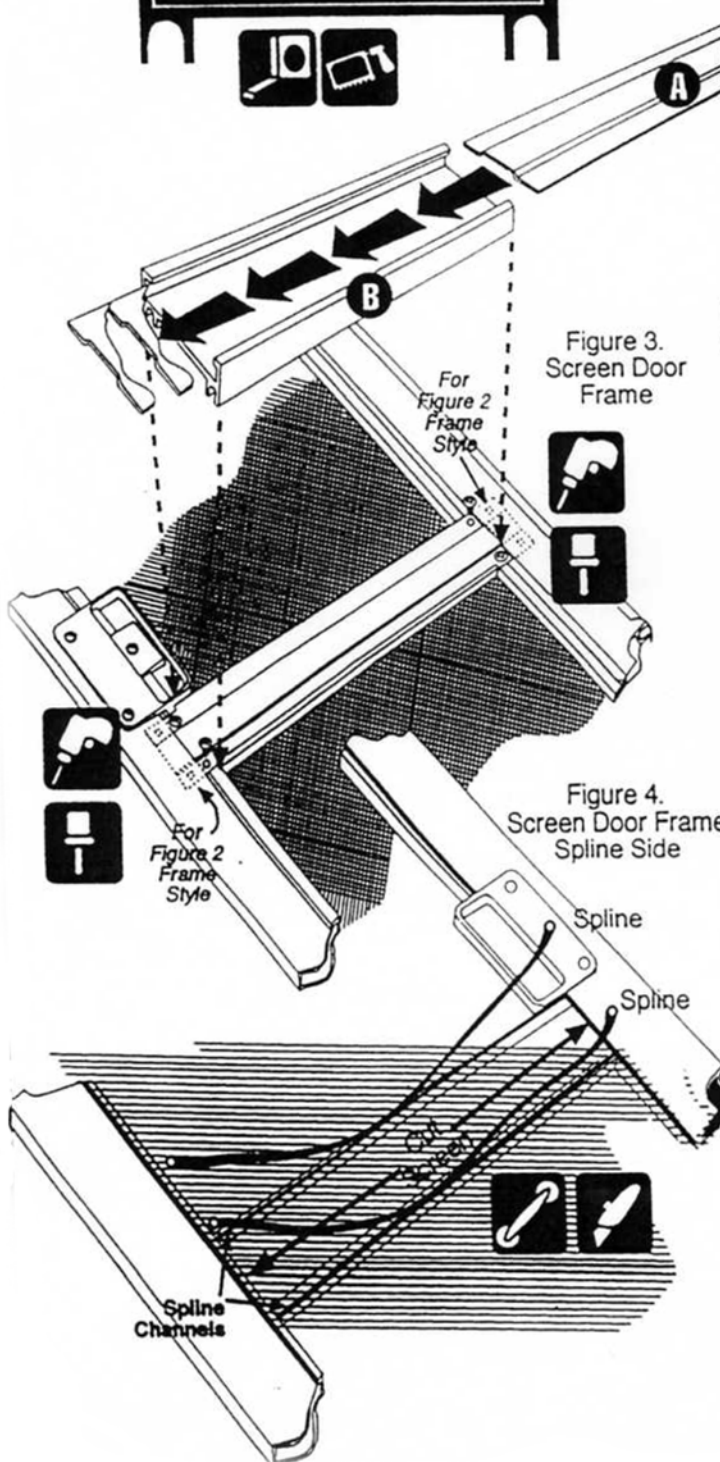
- Identify parts A&B in your Brace Kit! (Left)
- Choose your screen door frame style (opposite spline side) Figure 1. or Figure 2. (Above)
- Measure and Cut pieces A&B to length with tape measure and hack saw.

## STEP 2. MOUNT BRACE

- Slide part A into part B and center all.
- PLACE completed assembly into screen frame against door handle BOTTOM – Make sure it's square with opposite side.
- Frame WITH LIP (Figure 1.)—DRILL 4–1/8" Holes thru part A and outer frame material as shown in Figure 3.
- Frame WITHOUT LIP (Figure 2.) Drill 4–1/8" holes away from edge as shown in Figure 3.
- CAUTION—Do not Drill thru frame bottom.
- Secure with Sheet Metal Screws included in kit.

## STEP 3. INSTALL SPLINE

- Turn Screen over to spline side as shown in figure 4. Cut screen across brace bar
- Install Spline in Spline Channels— Figure 4. Use spline tool Working from Center to left, then to right—Install other channel
- Check all screen for tight fit.
- Cut out excess screen with Utility Knife between Brace Spline Channels
- Install or reinstall door



Distributed By:

## City Screen

5540 N. Kedzie Ave.  
Chicago, IL 60625

Telephone

(773) 588-5642 & (800) 222-5050

Facsimile

(773) 588-5742